

FMD51 - Mixed Dielectric AC Capacitors**Features**

Oil Impregnated for Good Corona Resistance

Dielectric - Polyester + Paper

Electrode - Aluminium Foil

Coil - Non-inductively wound, mineral oil impregnated

Leads - Brass stud

Construction - Aluminium can + Blue PVC Sleeve,
stud insert moulded plastic end caps

Markings - El-Ci-Ar logo, Capacitance, Voltage, Type

Capacitor Tolerance - 20% (M), 10% (K), 5% (J)

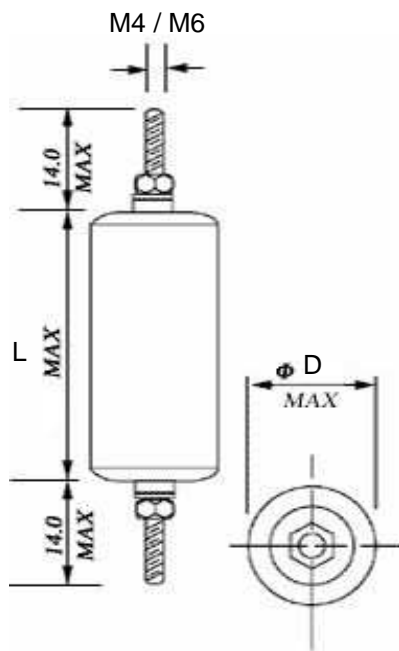
Dissipation Factor ≤ 0.01 at 1KHz at 25°C (Typical Value 0.005)

Test Voltage 1) 2.5 x Vr for 2 sec (Vr=2000 VDC)

2) 2 x Vr for 2 sec (Vr=5000 VDC)

Max Pulse Rise - 300V/usec

Temperature Range from -25°C to +85°C

Insulation Resistance ≥ 25 GΩ for C $\leq 0.33\mu\text{F}$ At 20°C ≥ 75000 sec for C $\geq 0.33\mu\text{F}$ **Applications**

General Purpose RC N/W across diodes, SCR

Suited for High Voltage Applications like Induction Heating

Suppression Circuits

Available ValuesCapacitance - 0.1 μF to 1 μF

Voltage 1200 VAC / 2000 VDC

2000 VAC / 5000 VDC

Value (μF)	AC Voltage	DC Voltage	Diameter	Length	Stud
0.1	1200 VAC	2000 VDC	19	40	M4
0.25	1200 VAC	2000 VDC	25	72	M6
0.5	1200 VAC	2000 VDC	30	72	M6
1	1200 VAC	2000 VDC	40	72	M6
0.47	2000 VAC	5000 VDC	40	100	M6
0.68	2000 VAC	5000 VDC	45	100	M6

Tolerances are $\pm 1\text{mm}$

Regd off: 1st Floor, Mistry Mansion, 107 M.G.Road, Fort, Mumbai 400001

Tel: (022) 66307244 / 45, 40029962 / 63

Fax: (022) 40025469

Email: sales@neutroniks.com