



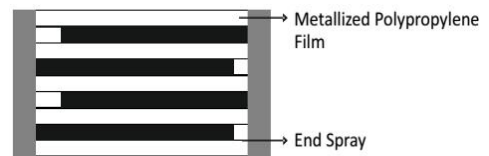
APPLICATION:

DC Link and DC Filter applications in Power converters for: Uninterruptible power supplies, Wind power inverters, Solar power inverters, Traction and industrial drives, Impulse discharge capacitors for magnetising and welding

FEATURES:

- High Current Capability
- Low Profile, Low ESR
- Aluminium Case, dry construction, resin filled
- High Life expectancy, very low Failure Rate
- Flame retardant UL94 - V0, ROHS compliant

CONSTRUCTION:

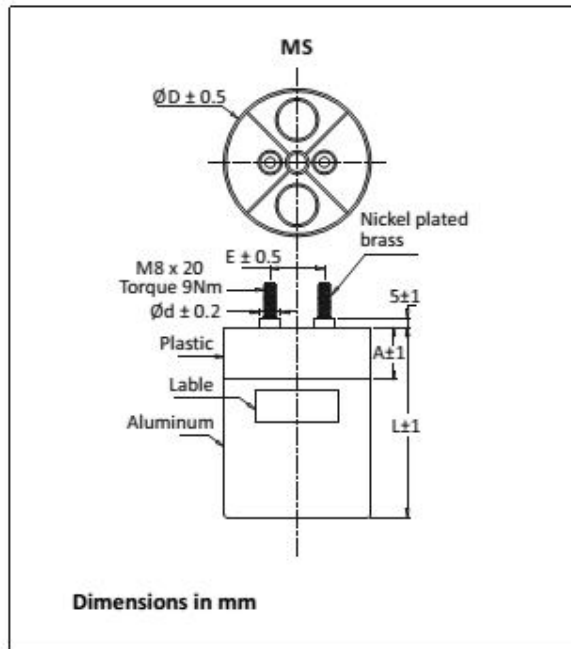
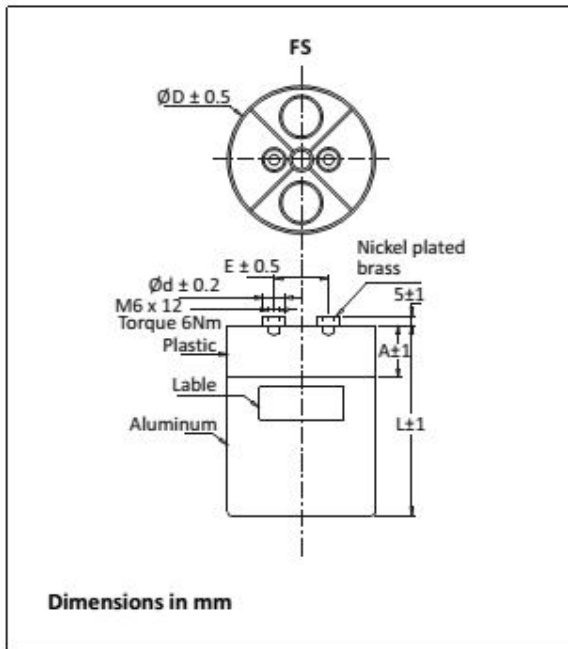
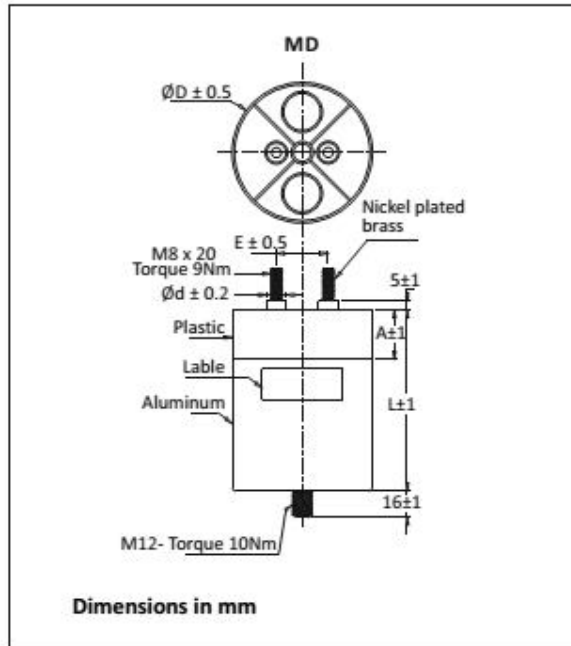
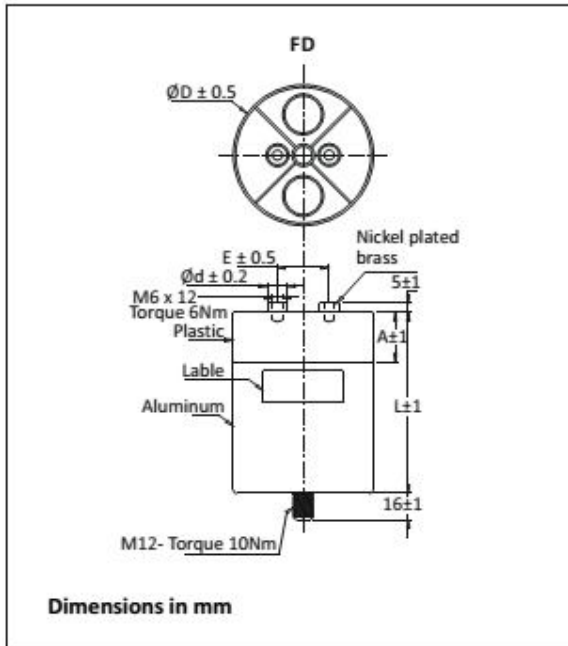


REFERENCE STANDARD: IEC 61071

BASIC SPECIFICATIONS:

Capacitance Range	45µF to 990 µF
Rated voltage (VDC)	700 to 2200VDC
Capacitance Tolerance	±5% (J), ±10% (K)
Dielectric	Polypropylene Film
Electrodes	Vacuum deposited Zinc Aluminum Heavy edge
Casing	Aluminium CAN
Encapsulation	Thermosetting Resin
Terminals	Brass stud
Dissipation factor (Tan d)	≤ 0.0010 at 100Hz
Test voltage between terminals (Vtt)	1.5 X rated voltage for 10 sec.
Withstanding DC Voltage (terminals & case)(Vtc)	3000 VDC for 10 sec.
Climatic category	40/85/56

CAPACITOR DRAWING & DIMENSIONS



Neotronics PRIVATE LTD.

68, Hadapsar industrial Estate, Hadapsar, Pune 411013

Rated Voltage (VDC)	Capacitor value at 1Khz (MFD)	Case Size (D x L)	Pitch	Typical ESR @ 1KHz	IMAX
			E mm	mΩ	(A)
700	360	85 X 105	32	1.6	40
	450	85 X 125	32	2.0	40
	495	85 X 140	32	2.1	40
	520	100 X 105	50	2.0	40
	540	85 X 150	32	1.0	60
	630	85 X 160	32	1.1	60
	675	100 X 125	50	2.4	60
	790	100 X 140	50	1.2	60
	855	100 X 150	50	1.2	60
	900	116 X 125	50	1.2	60
	990	85 X 255	32	1.5	60
900	300	85 X 105	32	1.7	40
	360	85 X 125	32	2.0	40
	430	85 X 140	50	2.0	40
	475	85 X 150	32	1.0	40
	495	85 X 160	32	1.1	60
	540	100 X 125	50	1.9	60
	630	100 X 140	50	1.2	40
	700	100 X 150	50	1.2	60
	720	116 X 125	50	1.3	60
	855	116 X 140	50	1.3	60
	920	85 X 275	32	1.9	60
	945	116 X 150	50	1.3	60
	990	85 X 295	32	2.2	60
	1000	225	85 X 105	32	1.7
300		85 X 125	32	2.0	40
335		100 X 105	50	2.0	40
350		85 X 140	32	2.1	40
375		85 X 150	32	1.0	60
400		85 X 160	32	1.1	60
425		100 X 125	50	2.4	40
450		116 X 105	50	1.0	60
500		100 X 140	50	1.2	60
560		100 X 150	50	1.2	60
585		116 X 185	50	1.2	60
595		85 X 225	32	1.5	60
675		85X255	32	1.0	80
700		116X140	50	1.3	60
735		85X275	32	1.9	60
765		116X150	50	1.3	60
800		85X295	32	2.2	60
855		100X225	50	1.1	60
900		116X185	50	1.7	80

Neotronics PRIVATE LTD.

68, Hadapsar industrial Estate, Hadapsar, Pune 411013

Rated Voltage (VDC)	Capacitor value at 1Khz (MFD)	Case Size (D x L)	Pitch	Typical ESR @ 1KHz	IMAX
			E mm	mΩ	(A)
1100	190	85X105	32	1.7	40
	235	85X135	32	2.0	40
	280	10X105	50	2.0	40
	295	85X140	32	2.1	40
	315	85X150	32	1.0	60
	350	85X160	32	1.1	60
1100	380	116X105	50	2.4	40
	420	100X140	50	1.0	60
	460	100X150	32	1.3	60
	560	100X185	50	1.2	60
	630	116X150	50	1.2	60
	720	100X225	50	1.2	60
	765	116X185	50	1.7	60
	825	100X255	50	1.3	80
	920	100X275	32	1.7	80
	950	116X225	50	1.3	80
1300	160	85X105	32	1.7	40
	200	85X125	32	2.0	40
	235	100X105	50	2.0	40
	250	85X140	32	2.1	40
	270	85X150	32	1.0	60
	300	85X160	32	1.1	60
	300	100X125	50	2.4	40
	315	116X105	50	1.0	60
	325	85X185	32	1.3	60
	350	100X140	50	1.2	60
	380	100X150	50	1.2	60
	395	116X125	50	1.2	60
	395	85X225	32	1.5	60
	470	100X185	50	1.7	60
	470	116X140	32	1.3	60
	495	116X150	50	1.3	60
	495	85X255	32	1.0	80
	540	85X275	50	1.1	80
	585	85X295	32	1.2	80
	600	100X225	50	1.9	60
	615	116X185	50	1.0	80
	700	100X255	50	1.2	80
	765	100X275	50	1.0	90
	785	116X225	50	1.2	80
	945	116X255	50	1.0	100

Neotronics PRIVATE LTD.

68, Hadapsar industrial Estate, Hadapsar, Pune 411013

Rated Voltage (VDC)	Capacitor value at 1KHz (MFD)	Case Size (D x L)	Pitch	Typical ESR @ 1KHz	IMAX
			E mm	mΩ	(A)
1500	85	85X105	32	1.5	40
	120	85X125	32	2.0	40
	125	85X140	32	2.1	40
	130	100X105	50	2.0	40
	150	85X150	32	1.0	60
	160	85X160	32	1.1	60
	170	100X125	50	2.4	40
	200	100X140	50	1.0	60
	220	100X150	50	1.2	60
	240	116X125	50	1.2	60
	250	85X225	50	1.2	60
	260	100X185	32	1.5	60
	285	116X150	32	1.3	60
	290	85X275	50	1.7	60
	315	85X295	50	1.3	60
	350	100X225	32	1.9	60
	360	116X185	32	1.2	80
	400	100X255	50	1.9	60
	430	100X275	50	1.0	80
	1800	560	116X255	50	1.2
630		116X275	50	1.2	100
70		85X105	32	1.7	40
90		85X125	32	2.0	40
100		85X140	32	2.1	40
100		100X105	50	2.0	40
110		85X150	32	1.0	60
130		85X160	32	1.1	60
135		100X125	50	2.4	40
135		116X105	50	1.0	60
160		100X140	50	1.2	60
170		100X150	50	1.2	60
180		116X125	50	1.2	60
200		85X225	32	1.5	60
210		85X255	32	1.0	80
210		100X185	50	1.7	60
220		116X140	50	1.3	60
225		85X275	32	1.9	60
250		116X150	50	1.3	60
270		85X295	32	2.2	60
270	100X225	50	1.1	80	
270	116X185	50	0.6	100	
315	100X255	50	0.8	100	
350	100X275	50	0.8	100	
360	116X255	50	1.0	100	
430	116X275	50	1.2	100	

Neotronics PRIVATE LTD.

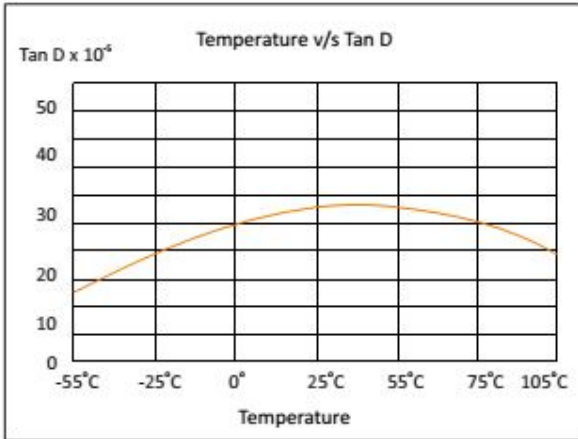
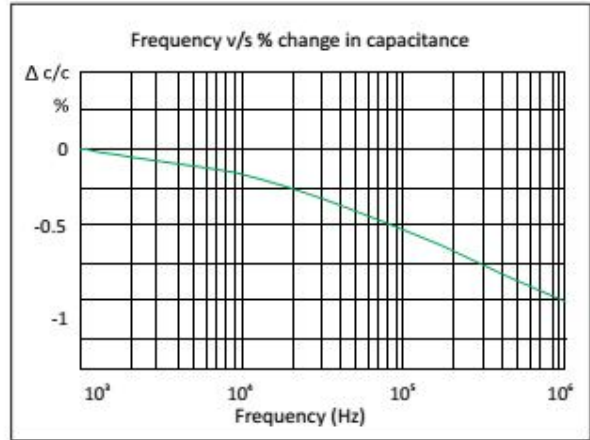
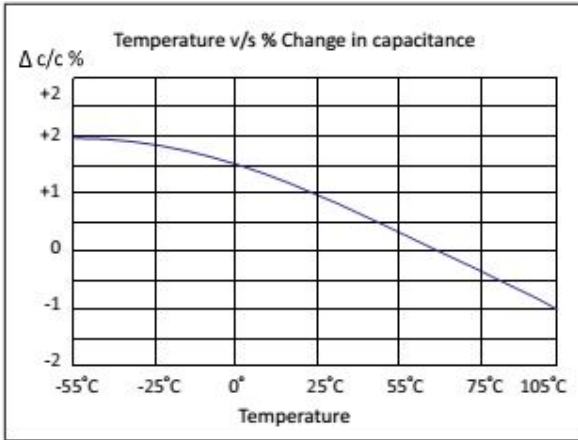
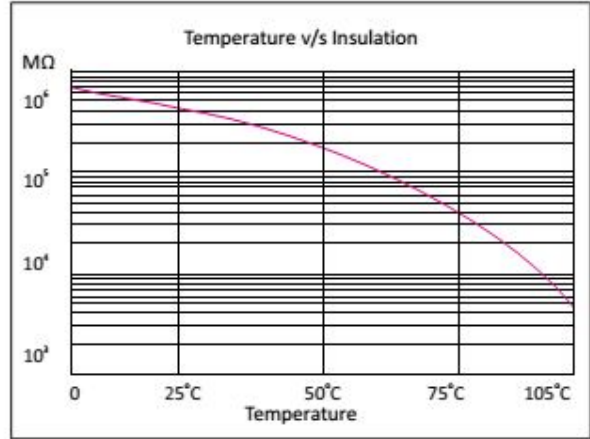
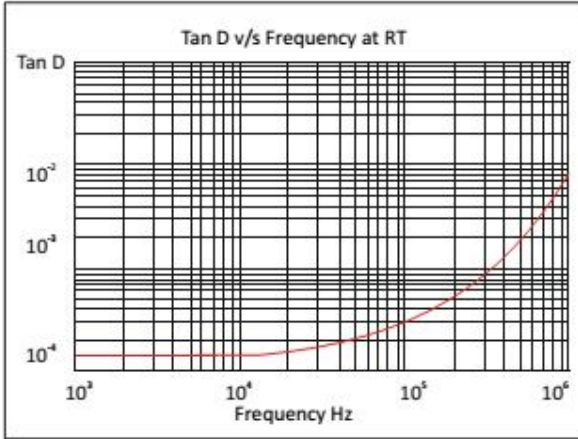
68, Hadapsar industrial Estate, Hadapsar, Pune 411013

Rated Voltage (VDC)	Capacitor value at 1Khz (MFD)	Case Size (D x L)	Pitch	Typical ESR @ 1KHz	IMAX
			E mm	mΩ	(A)
2000	60	85X105	32	1.5	40
	70	85X125	32	2.0	40
	80	85X140	32	2.1	40
	85	100X105	50	2.0	40
	90	85X150	32	1.0	60
	100	85X160	32	1.1	60
	110	100X125	50	2.4	40
	115	116X105	50	1.0	60
	120	85X185	50	1.3	60
	125	100X140	50	1.2	60
	135	116X125	32	1.2	60
	140	100X150	50	1.2	60
	150	85X225	32	1.5	60
	155	116X140	32	1.3	60
	170	100X185	50	1.7	60
	180	116X150	50	1.3	60
	200	85X295	32	2.2	60
	215	100X225	50	1.1	80
	225	116X185	50	1.0	80
	2200	250	100X255	50	1.2
270		116X225	50	1.2	80
280		100X275	50	1.2	80
315		116X255	50	1.0	100
360		116X275	50	1.2	100
45		85X105	32	1.7	40
60		85X125	32	2.0	40
65		85X140	32	2.1	40
75		85X150	32	1.0	60
85		85X160	32	1.1	60
90		85X185	50	2.8	40
105		100X140	50	1.2	60
110		100X150	50	1.2	60
115		116X125	50	1.2	60
135		116X140	50	1.3	60
145		85X275	32	1.1	80
150		116X150	50	1.3	60
170		85X195	32	1.2	80
180	116X185	50	1.0	80	
205	100X255	50	1.2	80	
225	100X275	50	1.2	80	
235	116X225	50	1.2	80	
270	116X255	50	1.0	100	
280	116X275	50	1.2	100	

Neotronics PRIVATE LTD.

68, Hadapsar industrial Estate, Hadapsar, Pune 411013

Typical Performance Graphs



Neotronics PRIVATE LTD.

68, Hadapsar industrial Estate, Hadapsar, Pune 411013