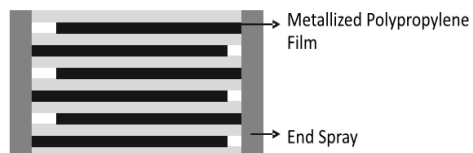


**APPLICATION:**

- DC filtering, Wind power inverters, Solar power inverters, Traction and industrial drives, Impulse discharge capacitors for magnetising and welding equipment, Impulse discharge capacitors for magnetising and welding equipment, Induction Heating Equipment, Motor drives, Electric vehicle inverters

FEATURES:

- High Current Capability
- Low Profile, Low ESR
- Plastic Case, dry construction, resin filled
- High Life expectancy, very low Failure Rate
- Flame retardant UL94 - V0, ROHS compliant
- Integrated mounting flanges

CONSTRUCTION:**REFERENCE STANDARD:** IEC 61071**BASIC SPECIFICATIONS:**

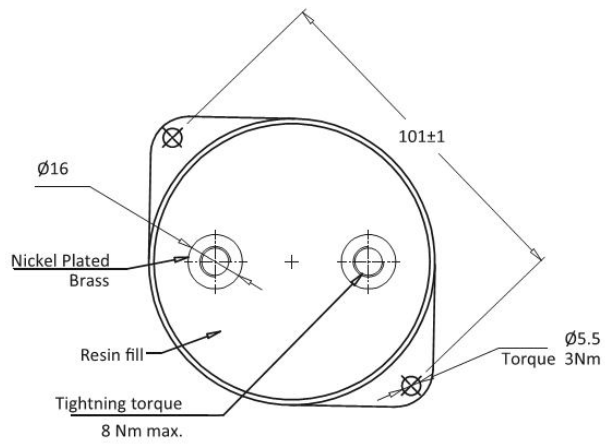
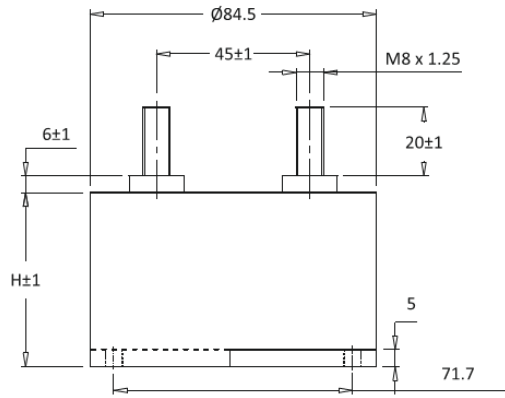
Capacitance Range	12µF to 265 µF
Rated voltage (VDC)	700, 800, 900, 1000, 1200, 1400, 1600, 1800
Capacitance Tolerance	±5% (J), ±10% (K)
Dielectric	Polypropylene Film
Electrodes	Vacuum deposited Zinc Aluminum Heavy edge
Casing	Plastic Casing with Integrated Mounting Flanges (UL-Class 94 V-0)
Encapsulation	Thermosetting Resin
Terminals	M8 screw type brass
Dissipation factor (Tan d)	≤ 0.0010 at 100Hz
Test voltage between terminals (Vtt)	1.5 X rated voltage for 10 sec.
Withstanding DC Voltage (terminals & case)(Vtc)	3000 VDC for 10 sec.
Climatic category	40/105/56

Neotronics PRIVATE LTD.

68, Hadapsar industrial Estate, Hadapsar, Pune 411013

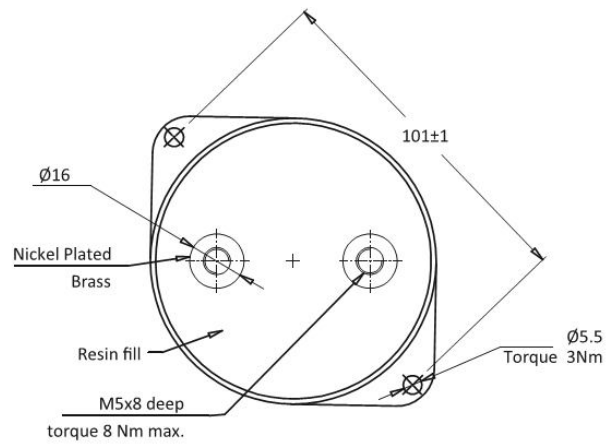
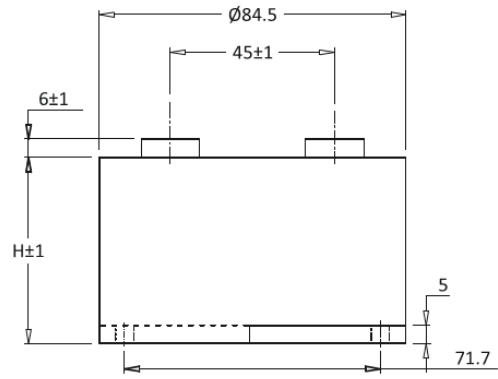
CAPACITOR DRAWING & DIMENSIONS

Terminal Style : MS



Dimensions in mm

Terminal Style : FS



Dimensions in mm

***Neotronics* PRIVATE LTD.**

68, Hadapsar industrial Estate, Hadapsar, Pune 411013

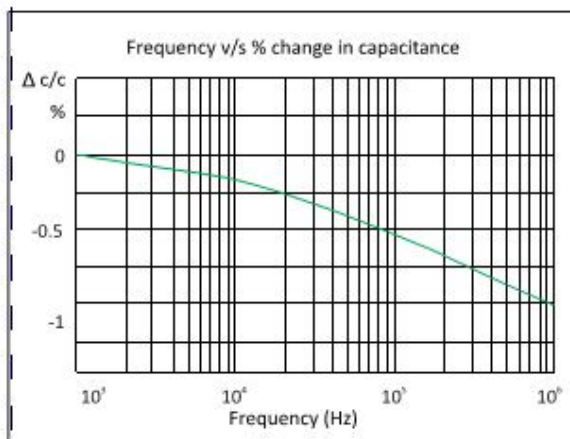
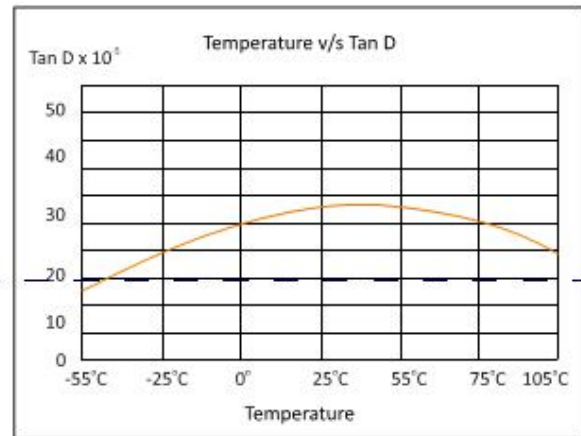
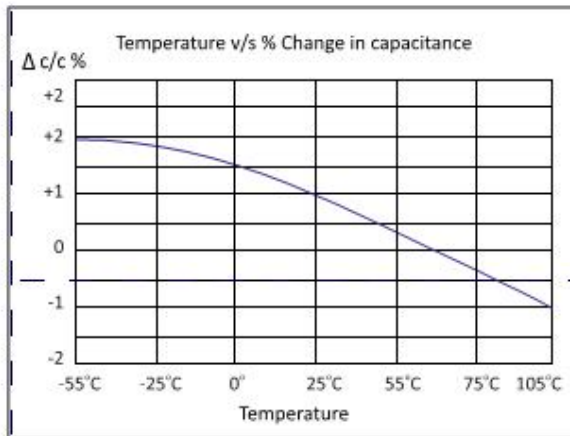
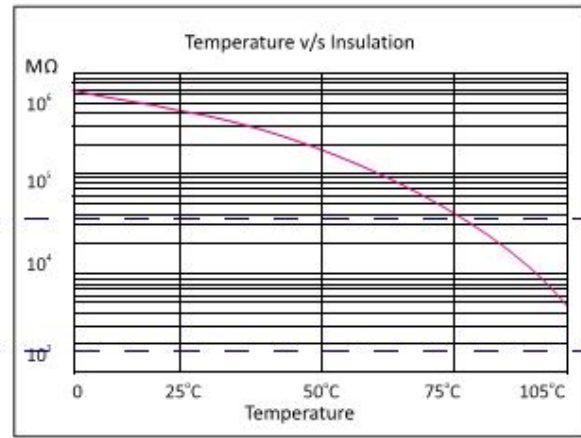
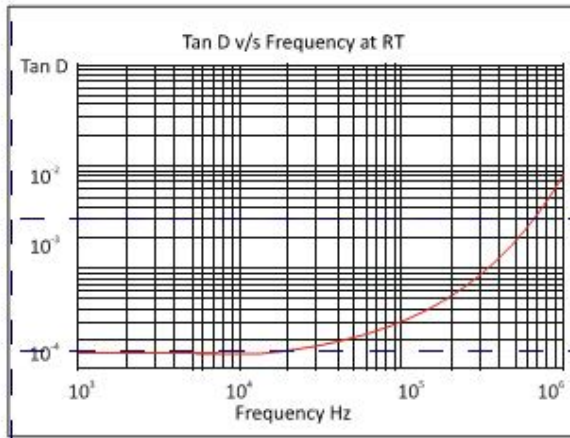
STANDARD CAPACITOR VALUES AND DIMENSIONS

Rated Voltage (VDC)	Capacitor value at 1Khz (MFD)	Case Size (D x L)	Ripple current rating Irms at 10Khz and 100Khz				
			25°C	45 °C	65 °C	85 °C	105 °C
700	85	85 X 40	91	79	66	46	11
	100	85 X 51	96	83	69	49	12
	142	85 X 51	96	83	69	49	12
	205	85 X 64	87	75	63	44	10
	265	85 X 79	86	74	61	42	9
800	70	85 X 40	91	79	66	46	11
	88	85 X 40	96	83	69	49	12
	140	85 X 51	87	75	63	44	10
	200	85 X 64	84	92	59	40	8
	260	85 X 79	93	81	71	51	12
900	65	85 X 40	85	76	64	45	13
	100	85 X 51	75	65	53	37	8
	150	85 X 64	85	76	64	45	13
	200	85 X 79	75	65	53	37	8
1000	47	85 X 40	85	73	62	38	10
	52	85 X 40	87	75	63	44	10
	88	85 X 51	89	77	64	45	11
	120	85 X 64	78	68	56	40	9
	170	85 X 79	69	60	50	35	8
1200	38	85 X 40	72	62	52	37	9
	63	85 X 51	74	64	53	38	9
	88	85 X 64	69	60	50	35	8
	118	85 X 79	57	49	41	29	7
1400	20	85 X 40	63	55	45	32	8
	34	85 X 51	64	55	46	33	8
	48	85 X 64	61	53	44	31	7
	64	85 X 79	52	45	37	27	6
1600	18	85 X 40	62	54	45	32	7
	30	85 X 51	62	54	45	32	7
	42	85 X 64	59	51	42	30	7
	55	85 X 79	48	42	35	24	6
1800	12	85 X 40	57	49	41	29	7
	21	85 X 51	58	50	42	30	7
	30	85 X 64	50	43	36	26	6
	40	85 X 79	43	37	31	22	5

Neotroniks PRIVATE LTD.

68, Hadapsar industrial Estate, Hadapsar, Pune 411013

TYPICAL PERFORMANCE GRAPH



Neotronics PRIVATE LTD.

68, Hadapsar industrial Estate, Hadapsar, Pune 411013