

FMD23 - Film Foil Polyester + Paper Axial Capacitors

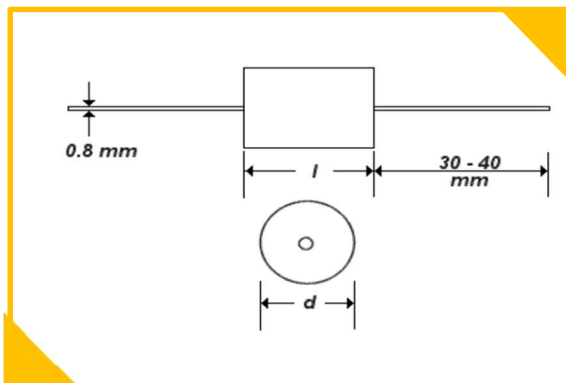
Features

- **Oil Impregnated** - For good Corona Resistance
- **Dielectric** - Polyester + Paper
- **Electrode** - Aluminium Foil
- **Coil** - Non inductively wound, Extended Foil
- **Leads** - Axial tinned copper wires
- **Construction** - Moulded plastic tube, resin filled
- **Markings** - El-Ci-Ar logo, Capacitance, Voltage, Type
- **Capacitor Tolerance** - 20% (M), 10% (K), 5% (J)
- **Dissipation Factor** ≤ 0.01 at 1KHz at 25°C (Typical Value 0.005)
- **Test Voltage** - 2.5 x Vr for 2 sec (Vr=2000V, 3000V)
2 x Vr for 2 sec (Vr = 5000V, 8000V)
- **Max Pulse Rise** - 300V/ μ s
- **Temperature Range from** -55°C to +105°C



Application

- General Purpose RC N/W across diodes, SCR
- Suited for High Voltage Applications like Induction Heating
- Suppression Circuits
- High Voltage Tank circuits
- Ac motor speed control



Dimensions

Rated Capacitance nF	Rated Voltage (Vr)								
	2000V		3000V		5000V		8000V		
	D	L	D	L	D	L	C(nF)	D	L
1			10	23	10	23	10	19	56
1.5			10	23	12	23	12.8	19	56
2.2			10	23	12	23	16	22	56
3.3			12	23	15	23	20	22	56
4.7			12	23	15	23	21	25	56
6.8			15	23	15	23	25.6	32	56
10	10	23	15	23	15	23	32	32	56
15	10	23	15	23	17	33	47	32	56
22	12	23	17	33	17	33	50	32	56
33	15	23	17	33	19	57	64	42	56
47	15	23	19	42	19	57	72	42	56
68	17	33	19	57	22	55			
100	17	33	19	57	22	55			
150	19	57	22	55	25	56			
220	19	57	25	56	31	57			
330	25	56	31	57					
470	25	56	31	57					
680	31	57							

Tube length (L) less than 54 mm wire lead Dia = 0.8 mm
 Tube length (L) greater than 54 mm wire lead Dia = 1.0 mm.
 Custom Values are also available on request.