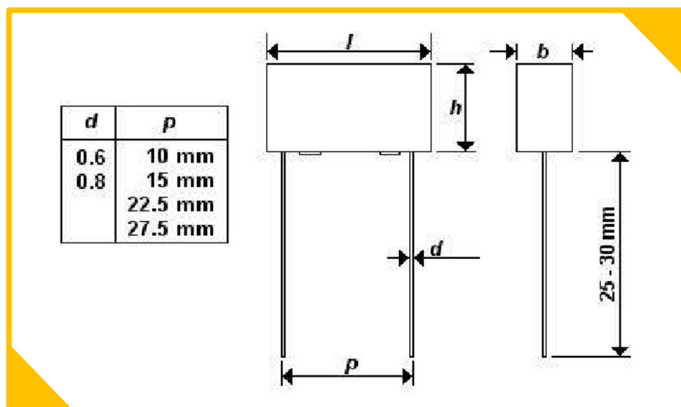


## KP11 – Film Foil Polypropylene Box type Capacitors

### Features

- **Oil Impregnated**, Low Loss
- **Dielectric** - Polypropylene
- **Electrode** - Aluminium Foil
- **Coil** - Non inductively wound
- **Leads** - Radial Copper Wires, Solder Plated, Directly welded
- **Construction** - Rectangular plastic box, Resin sealed
- **Markings** - *El-Ci-Ar* logo, Capacitance, Voltage, Type
- **Capacitor Tolerance** - 20% (M), 10% (K), 5% (J)
- **Dissipation Factor**  $\leq 0.0001$  at 1KHz at 25°C
- **Test Voltage** -  $2.5 \times V_r$  for 2 sec
- **Max Pulse Rise** - 1000V/  $\mu$ s
- **Temperature Range** from -55°C to +105°C
- **Insulation Resistance**  $\geq 50 \text{ G}\Omega$  for  $C \leq 0.33\mu\text{F}$  at 25°C



### Application

- Suited for light duty pulse, Logic & Timing Circuits
- Lighting Applications
- High Frequency Circuits
- Electronic Ballasts

## KP11 – Film Foil Polypropylene Box type Capacitors

Rated Capacitor uF	630V				1000V				1250V				1600V				2000V			
	b	h	l	p	b	h	l	p	b	h	l	p	b	h	l	p	b	h	l	p
0.00068																	6	12	18	15
0.0010					5	11	13	10	5	11	13	10	6	12	18	15	6	12	18	15
0.0015					5	11	13	10	5	11	13	10	6	12	18	15	6	12	18	15
0.0022					5	11	13	10	5	11	13	10	6	12	18	15	6	12	18	15
0.0033					5	11	13	10	5	11	13	10	6	12	18	15	6	12	18	15
0.0047	5	11	13	10	5	11	13	10	5	11	13	10	6	12	18	15	6	12	18	15
0.0068	5	11	13	10	5	11	13	10	5	11	13	10	6	12	18	15	6	12	18	15
0.010	5	11	13	10	5	11	13	10	5	11	13	10	7	13	18	15	7	13	18	15
0.015	6	11	13	10	7	13	18	15	7	13	18	15	10	18	26	22.5	10	18	26	22.5
0.022	6	11	13	10	7	13	18	15	8	14	18	15	10	18	26	22.5	10	18	26	22.5
0.033	8	14	18	15	8	14	18	15	8	14	18	15								
0.047	8	16	26	22.5	8	16	26	22.5	8	16	26	22.5	10	18	26	22.5	9	16	32	27.5
0.068	8	16	26	22.5	8	16	26	22.5	8	16	26	22.5								
0.10	8	16	26	22.5	8	16	26	22.5	8	16	26	22.5	13	22	32	27.5	13	22	32	27.5
0.15	10	18	26	22.5	10	18	26	22.5												
0.22	13	22	32	27.5	13	22	32	27.5												

- Custom Values are also available on request

### Update

Introducing Lower Pitch Polypropylene Capacitor KP98

- 0.0033 uF 1000V / 1250V also available in 7.5 mm Pitch Box Size 5mm x 10mm x 11mm
- 0.0047 uF 1000V / 1250V also available in 7.5 mm Pitch Box Size 5mm x 10mm x 11mm
- 0.0068 uF 1000V / 1250V also available in 7.5 mm Pitch Box Size 5mm x 10mm x 11mm