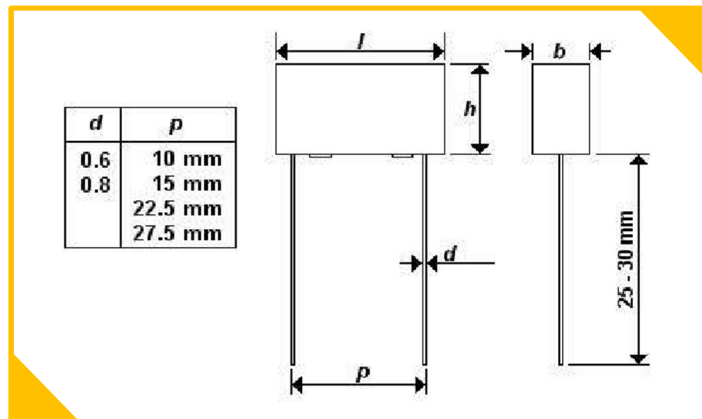


## KT11 – Film Foil Polyester Box type Capacitors

### Features

- **Oil Impregnated** – For Low Loss, withstand high voltages
- **Dielectric** - Polyester
- **Electrode** - Aluminium Foil
- **Coil** - Non inductively wound
- **Leads** - Radial Copper Wires, Solder Plated, Directly welded
- **Construction** - Rectangular plastic box, Resin sealed
- **Markings** - *El-Ci-Ar* logo, Capacitance, Voltage, Type
- **Capacitor Tolerance** - 20% (M), 10% (K), 5% (J)
- **Dissipation Factor**  $\leq 0.007$  at 1KHz at 25C°
- **Test Voltage** -  $2.5 \times V_r$  for 2 sec
- **Max Pulse Rise** -  $500V/\mu s$
- **Temperature Range** from -55C° to +105C°
- **Insulation Resistance**  $\geq 30 G\Omega$  for  $C \leq 0.33\mu F$  at 25C°



### Application

- General purpose RC N/W  
Across diodes, SCR
- Lighting Applications
- Suppression Circuits
- Electronic Ballasts

## KT11 – Film Foil Polyester Box type Capacitors

Rated Capacitor uF	400V				630V				1000V			
	b	h	l	p	b	h	l	p	b	h	l	p
0.0010									5	11	13	10
0.0015									5	11	13	10
0.0022									5	11	13	10
0.0033									5	11	13	10
0.0047									5	11	13	10
0.0068									5	11	13	10
0.010					5	11	13	10	5	11	13	10
0.015					6	11	13	10	6	11	13	10
0.022					6	11	13	10	6	12	18	15
0.033					6	11	13	10	7	13	18	15
0.047					7	13	18	15	7	13	26	22.5
0.068					8	14	18	15	8	14	26	22.5
0.10	7	13	18	15	8	14	18	15	8	16	26	22.5
0.15	8	14	18	15	8	16	26	22.5				
0.22	8	16	26	22.5								

Custom Values are also available on request.

### Update

- 0.01 uF 630V / 1000V also available in 7.5 mm Pitch as **KT98 (5mm x 10mm x 11mm)**
- 0.01 uF 1000V also available in 15 mm Pitch as **KT2B2 (6mm x 12mm x 18mm)**