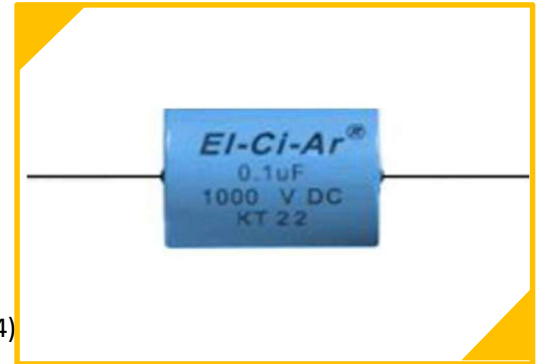


## KT22 - Film Foil Polyester Axial Capacitors

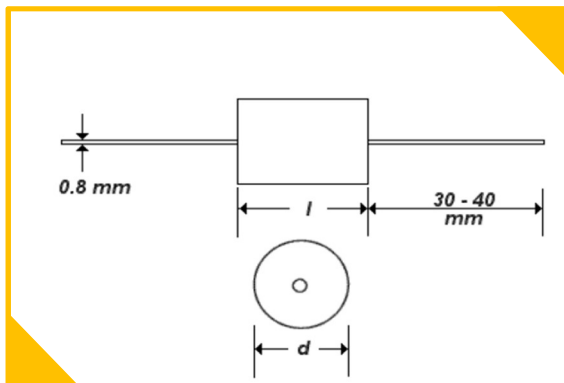
### Features

- **Oil Impregnated** - to withstand higher voltages
- **Dielectric** - Polyester
- **Electrode** - Aluminium Foil
- **Coil** - Non inductively wound, Extended Foil
- **Leads** - Axial tinned copper wires
- **Construction** - Moulded plastic tube, resin filled
- **Markings** - El-Ci-Ar logo, Capacitance, Voltage, Type
- **Capacitor Tolerance** - 20% (M), 10% (K), 5% (J)
- **Dissipation Factor**  $\leq 0.007$  at 1KHz at 25°C (Typical Value 0.004)
- **Test Voltage** -  $2.5 \times V_r$  for 2 sec
- **Max Pulse Rise** - 500V/usec
- **Temperature Range** from -25oC to +85oC



### Application

- Filtering & quenching applications in SMPC & RC Circuits
- Direct Welded contacts give better ESR Lighting Applications
- Ac motor speed control



Rated Capacitor nF	400VDC		630VDC		1000VDC	
	D	L	D	L	D	L
10			10	23	10	23
15			10	23	10	23
22			10	23	10	23
33			10	23	12	23
47			12	23	12	23
68			12	23	12	23
100			15	23	15	23
150			17	33	17	33
220			17	33	17	33
330			19	42	19	42
470	17	33	19	42	19	42
680	17	33	22	55	22	55
1.0 uF	17	33	22	55	22	55
1.5 uF	19	56	25	56	25	56
2.0 uf	22	55	32	56	32	56
2.2 uF	22	55	32	56	32	56

Tube length (L) less than 54 mm wire lead Dia = 0.8 mm  
 Tube length (L) greater than 54 mm wire lead Dia = 1.0 mm.  
 Custom Values are also available on request.