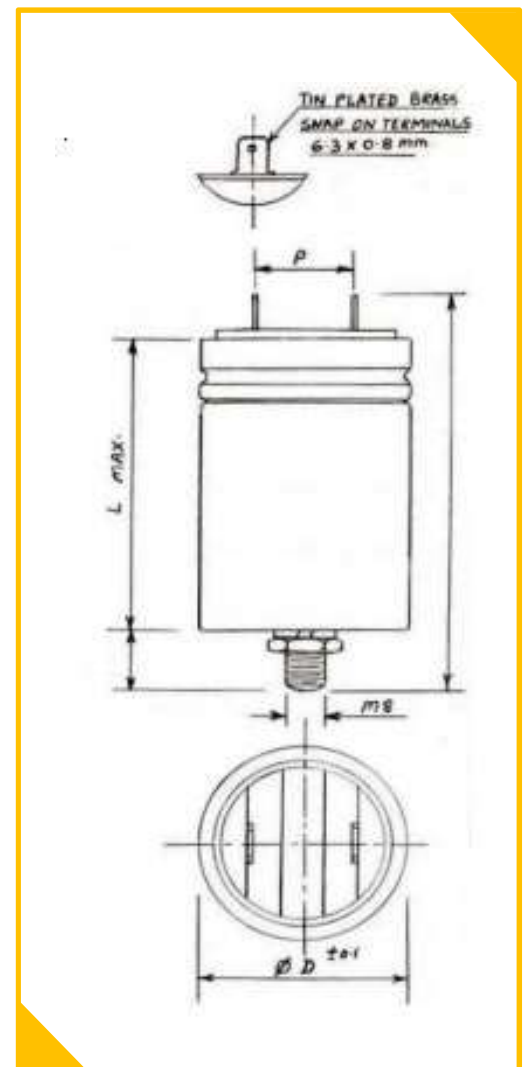


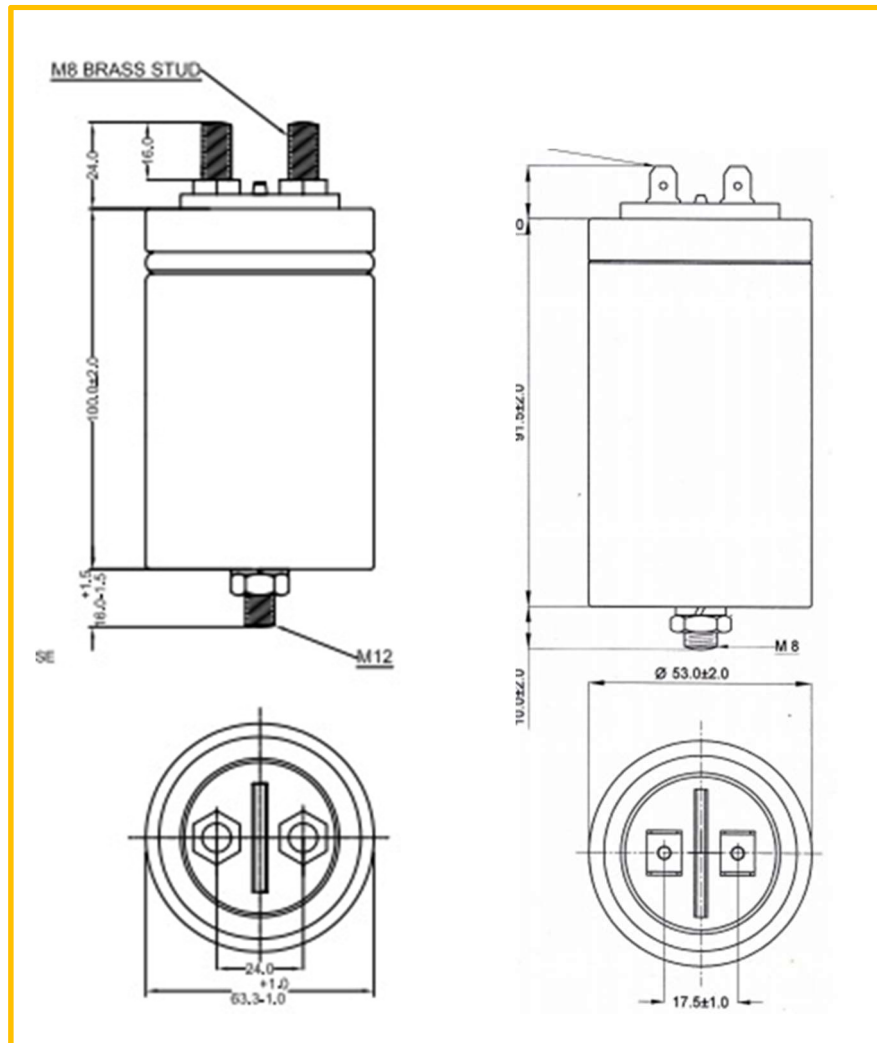
MKP71 – Oil Filled Self-Healing Polypropylene High Voltage Capacitors

Features

- **Oil Impregnated** – Aluminum Can Encased
- **Dielectric** - Polypropylene
- **Electrode** – Double Metallized Paper
- **Coil** - Non inductively wound, extended Foil Construction
- **Leads** – Faston Terminals, Double Faston, Studs M4 / M6
- **Construction** - Rectangular plastic box, Resin sealed
- **Markings** - *El-Ci-Ar* logo, Capacitance, Voltage, Type
- **Capacitor Tolerance** - 10% (K), 5% (J)
- **Dissipation Factor** ≤ 0.001 at 1KHz at 25C° (Typical 0.0004)
- **Test Voltage b/w terminals** - $2.5 \times V_r$ for 2 sec
- **Test Voltage b/w terminals & case** - $2 \times V_r$ for 60 sec
- **Max Pulse Rise** - 500V/ μs
- **Temperature Range** from -55C° to +105C°
- **Insulation Resistance** $\geq 50 \text{ G}\Omega$ for $C \leq 0.33\mu F$ at 25C°



MKP71 – Oil Filled Self-Healing Polypropylene High Voltage Capacitors



Application

- Damping Capacitor for overvoltage protection of semiconductor devices
- Commutation Capacitor for positive quenching of thyristors
- Smoothing Capacitor for D.C. Circuits
- The Capacitor has a self healing capacity which ensures long life even under occasional overvoltage conditions.

MKP71 – Oil Filled Self-Healing Polypropylene High Voltage Capacitors

Value (uF)	VAC (RMS)	VDC	D (mm)	L (mm)
8	500	750	54	100
0.1	640	900	30	55
0.22	640	900	30	55
0.33	640	900	30	55
0.47	640	900	30	55
0.68	640	900	30	87
1.00	640	900	40	55
1.50	640	900	40	55
2.00	640	900	40	67
2.20	640	900	40	87
25.0	640	900	63	135
0.10	1000	2000	30	55
0.22	1000	2000	30	55
0.33	1000	2000	40	55
0.47	1000	2000	40	70
0.68	1000	2000	30	91
0.68	1000	2000	40	87
1.0	1000	2000	54	91
1.50	1000	2000	54	91
2.00	1000	2000	54	95
4.00	1000	2000	63	100
1.0	1500	3000	54	95
1.5	1500	3000	63	95
0.15	2000	5000	40	70
0.22	2000	5000	40	70
0.47	2000	5000	54	91