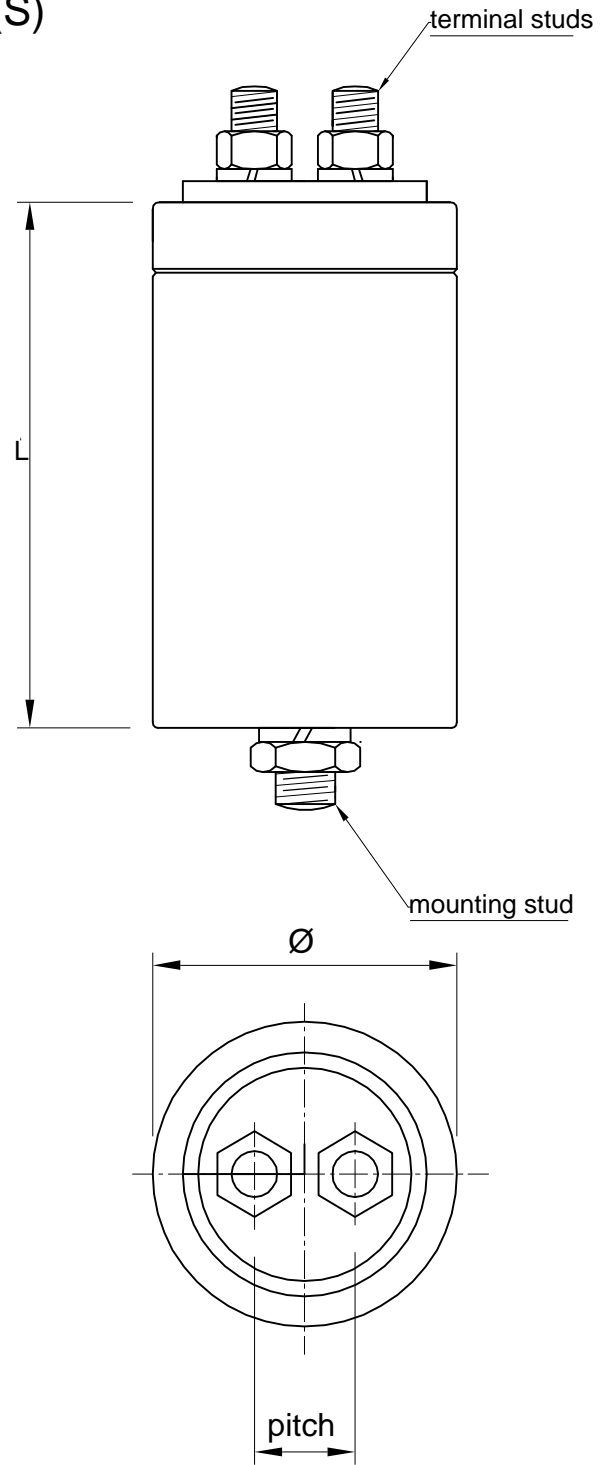


0.47 to 10uF/ 640VAC MPF 51(S)

- 1. Capacitance Value : 0.47 to 10 μ F \pm 10 %.
- 2. Rated Voltage (AC) : 640 VAC.
- 3. Rated Voltage (DC) : 1250 VDC.
- 4. Electrodes : Aluminum Foil. +
Metallised Polypropylene Film.
- 5. Dielectric System : Plain Polypropylene Film.
- 6. Construction : Internal Series Construction
Vacuum Impregnated.
- 7. Terminations : Brass Stud
Soldered Ends.
- 8. Dissipation Factor : \leq 0.0010 at 1 KHz, 25° C.
- 9. Insulation Resistance : \geq 1000 M Ω .
- 10. Test Voltage
(Terminal to Terminal) : 2 KVDC , 2 Sec.
(Terminal to Case) : 3 KVDC, 60 Sec.
- 11. Casing : Cylindrical Aluminium Case
For 0.47uF : \varnothing 30 x L 68 M4
For 4.7uF : \varnothing 53 x L 75 M8
For 10.0uF : \varnothing 63.5 x L 95 M8



ALL DIMENSIONS ARE IN mm.

.C: 0.47uF to 10 μ F						VOLTAGE : 640 VAC	
<u>NOTE</u>							
MOD. NO.	ALTERATIONS	DATE	DRAWN	CHECKED	APPROVED	SCALE : ----	
Neutroniks PRIVATE LTD. 68,HADAPSAR IND. ESTATE PUNE 411 013		<u>DESCRIPTION</u> 0.47 to 10uF/640VAC				<u>CAPACITOR</u> MPF - 51(S)	